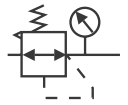


»G-mini« Series

GR 05, GR 06

Symbol



Product features

- Reversible diaphragm pressure regulators, independent of inlet pressure, with self-relieving design.
- The pressure setting can be locked by pushing the button down.

Specifications / Technical data

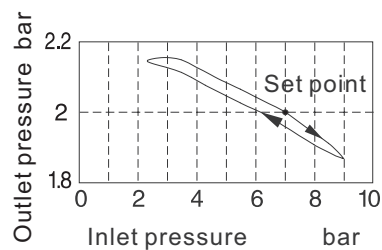
Art. No.	Size 200	
	GR 05	GR 06
Fluid	Air	
Port size	1/8"	1/4"
Pressure range	0.5 to 9 bar (0.05 to 0.9 MPa, 20 to 130 psi)	
Proof pressure	15 bar (1.5 MPa, 215 psi)	
Temperature range	-20 to 70 °C	
Weight	160 g	

Ordering information

Art. No.	Type
GR 05, GR 06	Pressure regulators, incl. pressure gauge and »HW« mounting bracket

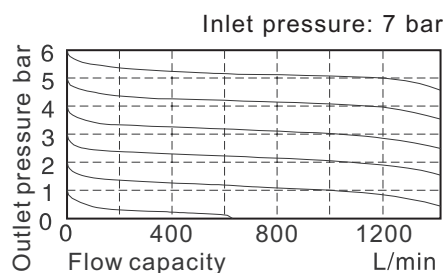
Pressure chart

GR 05, GR 06



Flow chart

GR 05, GR 06

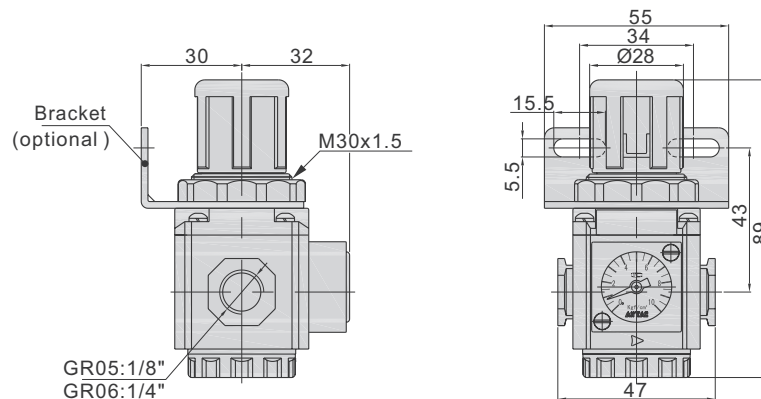


»G-mini« Series

GR 05, GR 06

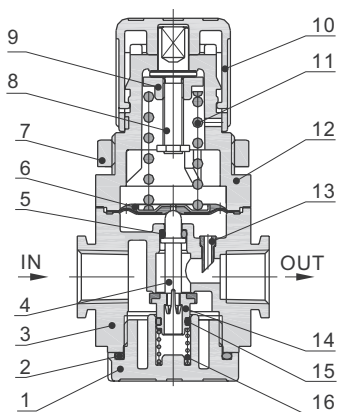
Body dimensions

GR 05, GR 06



Components and materials

GR 05, GR 06











No.	Item	Material
1	Valve cap	Aluminum alloy
2	O-ring	NBR
3	Body	Aluminum alloy
4	Spool	POM
5	O-ring	NBR
6	Diaphragm	Stainless steel & Rubber
7	Fixed ring	POM
8	Adjusting spindle	Steel
9	Regulator nut	Steel
10	Pressure adjusting knob	POM
11	Pressure spring	Spring steel
12	Adjusting seat	POM
13	Feed back tube	POM
14	Pressure plug	Brass & Rubber
15	O-ring	NBR
16	Spring	Stainless steel

»G-mini« Series

GR 05, GR 06

Accessories

	Art. No.	Type
	GR 05 100	Set of wearing parts for pressure regulators/filter regulators = discontinued product. No longer available.
	GR 05 110	Replacement diaphragm = discontinued product. No longer available.
	GR 05 120	Adapter plate for mounting standard pressure gauges (round)
	110.46-KD	Standard pressure gauges
	HW 200	Mounting bracket
	UB 200	Joiner without wall mounting
	LB 200	Joiner with wall mounting, 1 drilled hole
	TB 200	Joiner with wall mounting, 2 drilled holes