



3/2-5/2-5/3 - way Pneumatic

516 Series
Art. No. 106488 to 106519

G 1/8 DN 5	G 1/4 DN 7.5	G 3/8 DN 13.3	G 1/2 DN 15
---------------	-----------------	------------------	----------------

516 Series valves

Traditional pilot valve series. Suitable for all applications where pneumatic actuators have to be operated. These valves are designed for in-line installation, for mounting directly on the cylinder (with a special adapter) or as mass-produced valves with

a multiple manifold base and an individual manifold base.

The following types are available:

-Four port sizes (1/8", 1/4", 3/8" and 1/2")

-Four types of operation (manual, mechanical, pneumatic or electro-pneumatic)

-3/2, 5/2 and 5/3-way versions

Technical data

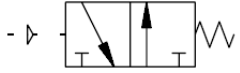

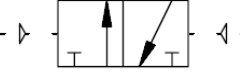


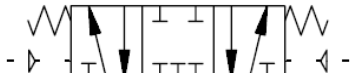
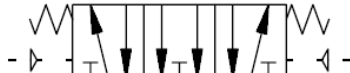
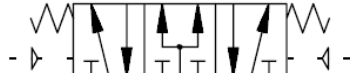
Designation	G 1/8	G 1/4	G 3/8	G 1/2
Working pressure range	Vacuum to 10 bar			
Control pressure	2.5 to 10 bar 1 to 10 bar			
- Monostable - Bistable				
Temperature range	-10 °C to +60 °C			
Nominal diameter	5	7.5	13.3	15
Flow rate[Nl/min – bar]	121.43	264.26	505.52	971.43
Flow rate/ 6 bar - Δ 0.5 bar	400 Nl/min	750 Nl/min	1560 Nl/min	3200 Nl/min
Flow rate/ 6 bar - Δ 1.0 bar	550 Nl/min	1100 Nl/min	2150 Nl/min	4600 Nl/min
TRA / TRR monostable at 6 bar*	6 ms / 15 ms	7 ms / 15 ms	5 ms / 28 ms	16 ms / 46 ms
TRA / TRR bistable at 6 bar*	7 ms / 7 ms	7 ms / 7 ms	13 ms / 13 ms	16 ms / 16 ms

* TRA / TRR → on / off time for 95% pressure build-up referred to 6 bar

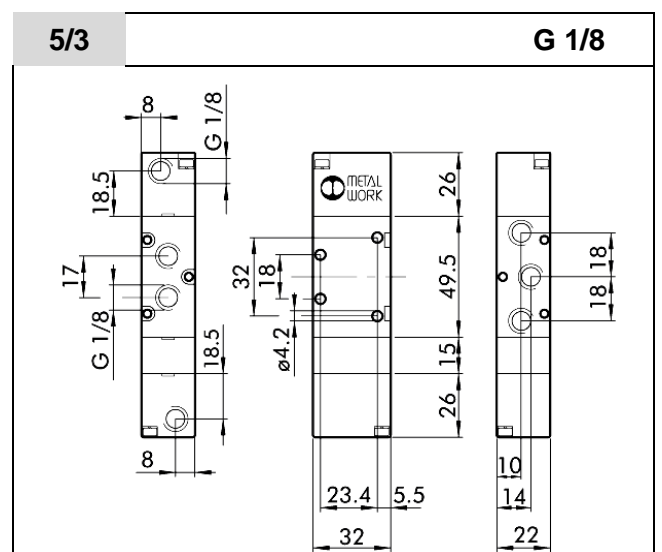
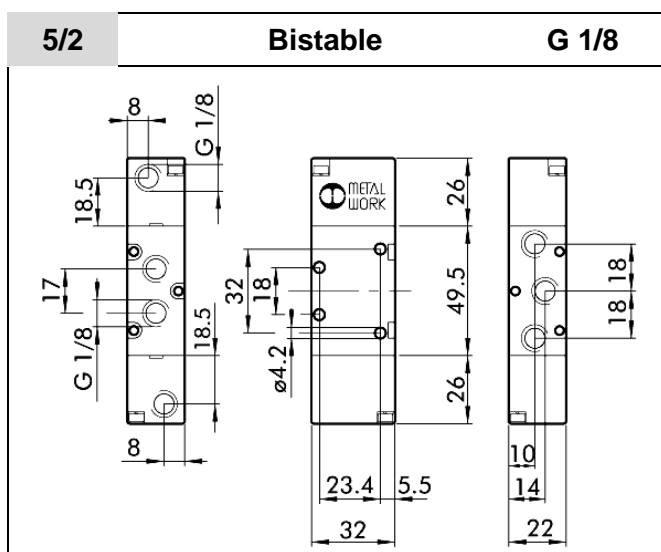
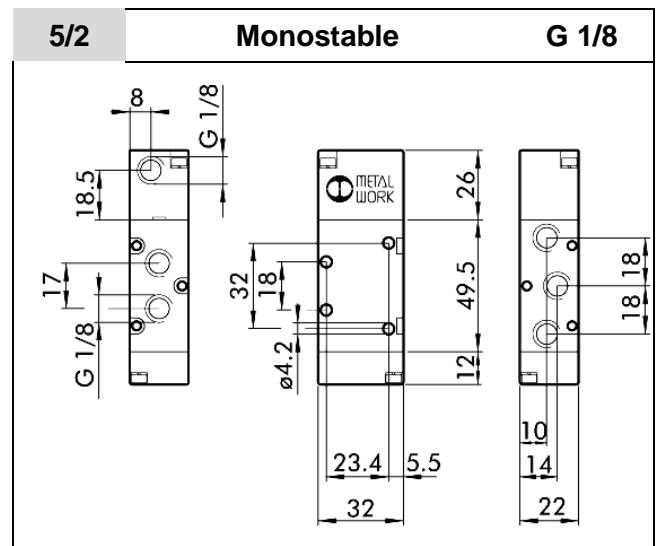
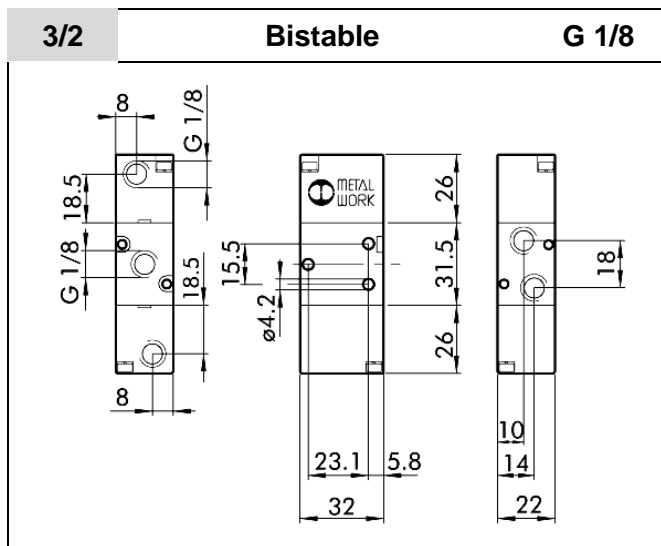
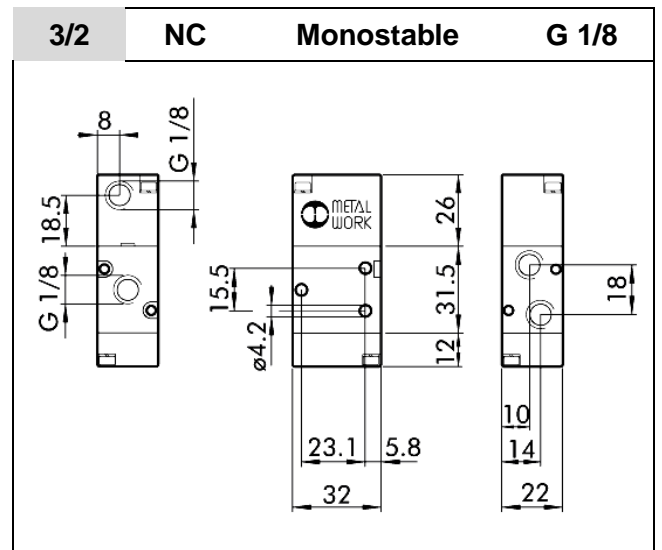
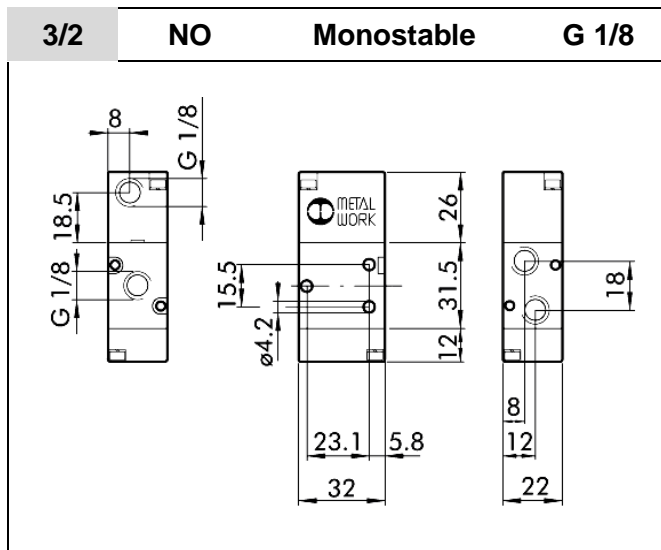
Materials

①	Valve body	Aluminium (surface hardened and tempered)	
②	End stops	Hostaform®	
③	Piston	Aluminium (chemically nickelplated)	
④	Spacer	Plastic	
⑤	Seals	NBR	
⑥	Auxiliary	Hostaform®	
⑦	Seal	NBR	
⑧	Filter	Sintered bronze	
⑨	Spring	Special steel	

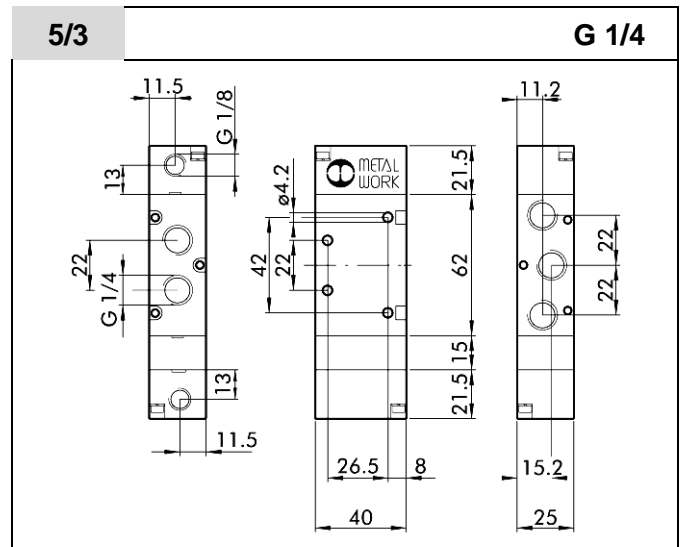
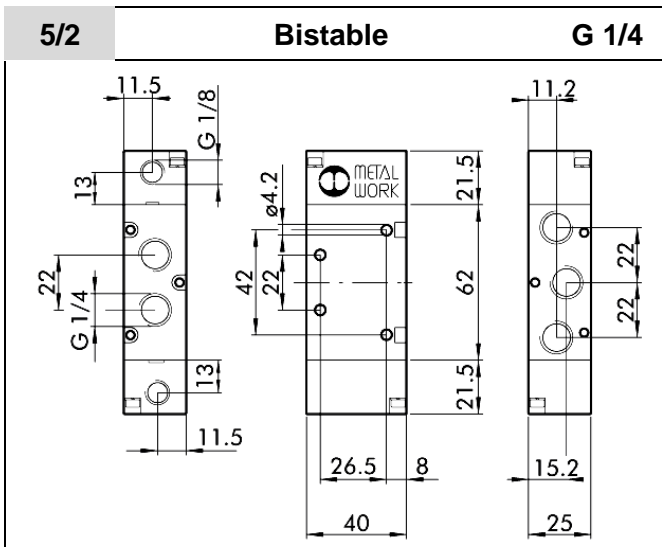
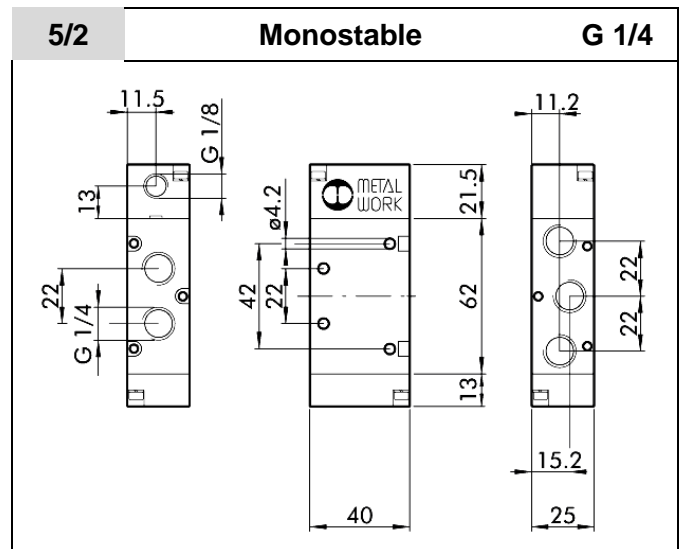
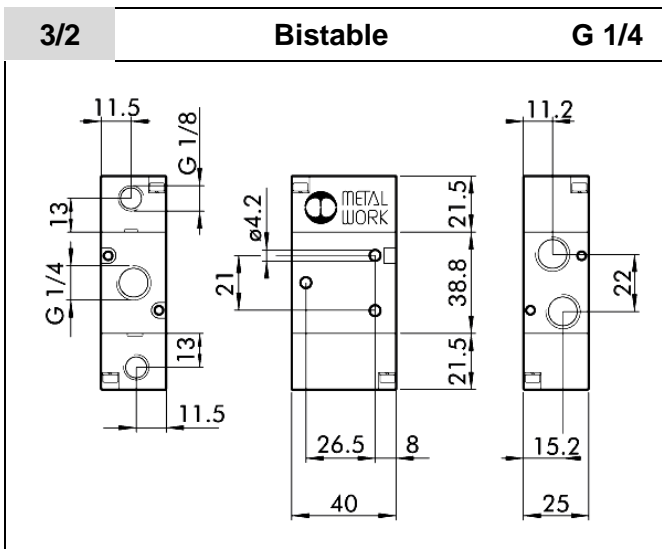
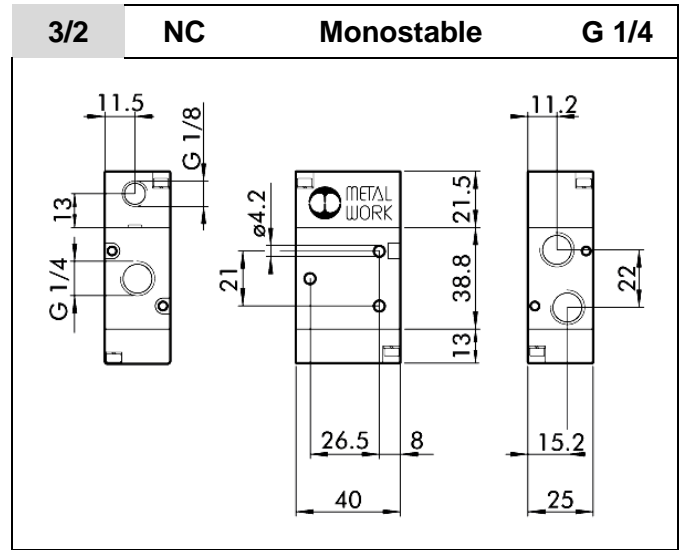
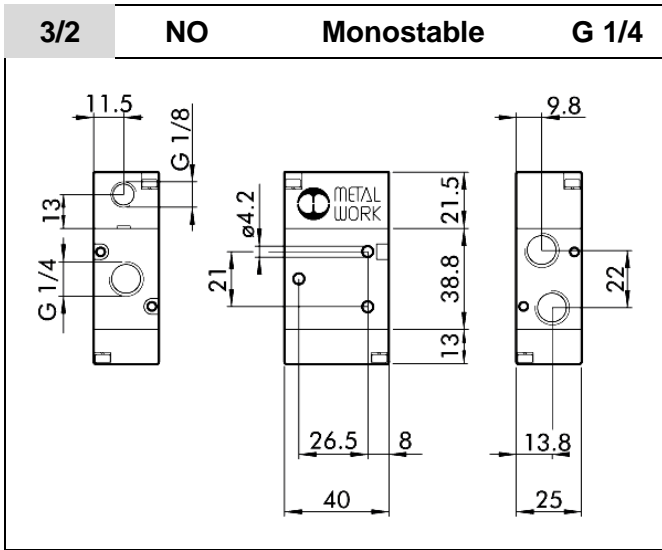
Selection table

Type No.	Art. No.	Port	DN	Function		Reset	Circuit diagram				
				Way	Normal position						
516.101	106488	G 1/8	5	3/2	Monostable NO	Mechanical spring					
516.102	106489	G 1/4	7.5								
516.102-38	106490	G 3/8	13.3								
516.105	106491	G 1/2	15								
516.103	106492	G 1/8	5								
516.104	106493	G 1/4	7.5								
516.104-38	106494	G 3/8	13.3		Monostable NC	Mechanical spring					
516.106	106495	G 1/2	15								
516.201	106496	G 1/8	5					Bistable	Mechanical spring		
516.202	106497	G 1/4	7.5								
516.202-38	106498	G 3/8	13.3								
516.203	106499	G 1/2	15								
516.301	106500	G 1/8	5	5/2	Monostable	Mechanical spring					
516.302	106501	G 1/4	7.5								
516.302-38	106502	G 3/8	13.3								
516.305	106503	G 1/2	15								
516.303	106504	G 1/8	5					Bistable	Mechanical spring		
516.304	106505	G 1/4	7.5								
516.304-38	106506	G 3/8	13.3								
516.306	106507	G 1/2	15								
516.401	106508	G 1/8	5		5/3	Mid-position closed	Mechanical spring				
516.501	106511	G 1/4	7.5								
516.501-38	106514	G 3/8	13.3								
516.601	106517	G 1/2	15					Mid-position exhausted	Mechanical spring		
516.402	106509	G 1/8	5								
516.502	106512	G 1/4	7.5								
516.502-38	106515	G 3/8	13.3								
516.602	106518	G 1/2	15	Mid-position pressurised		Mechanical spring					
516.403	106510	G 1/8	5								
516.503	106513	G 1/4	7.5								
516.503-38	106516	G 3/8	13.3								
516.603	106519	G 1/2	15								

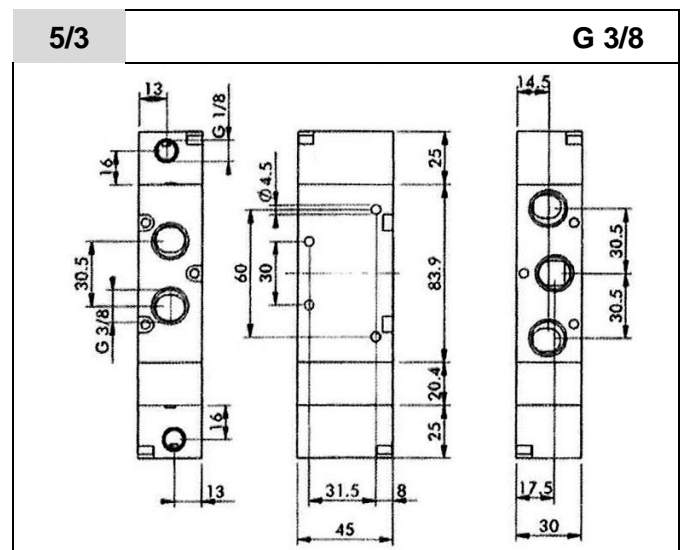
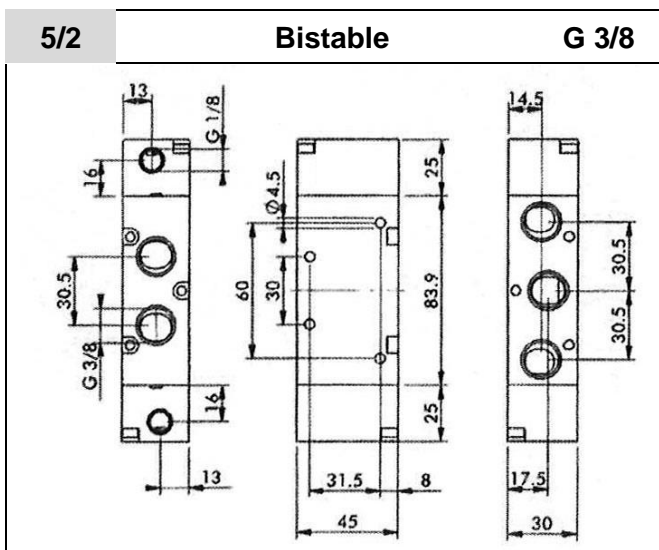
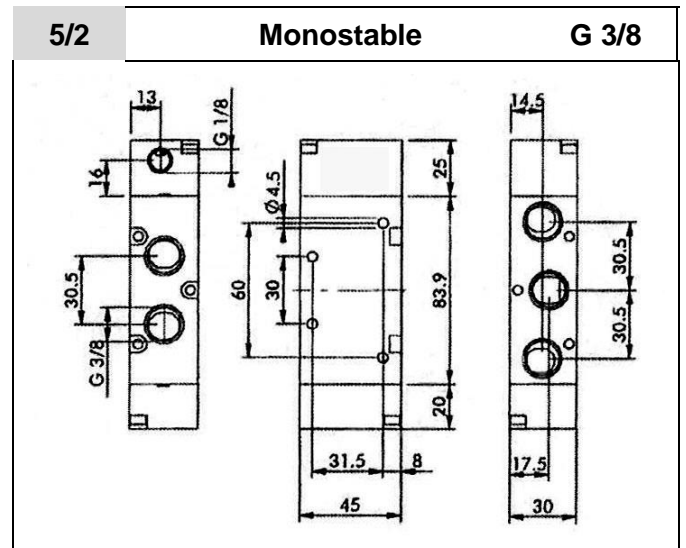
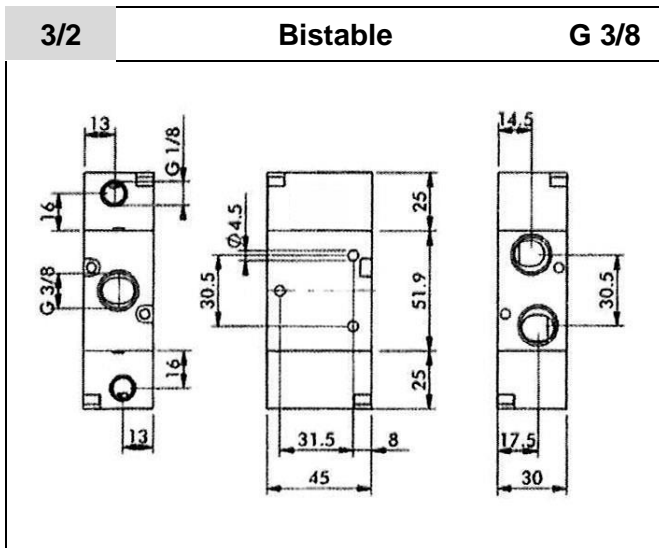
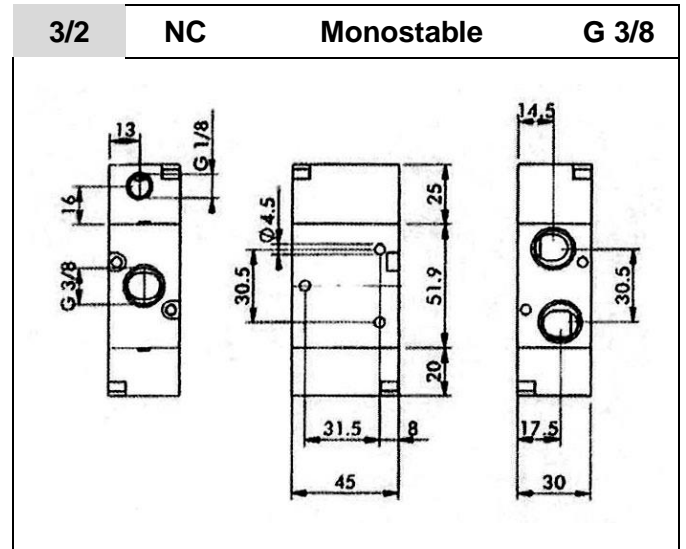
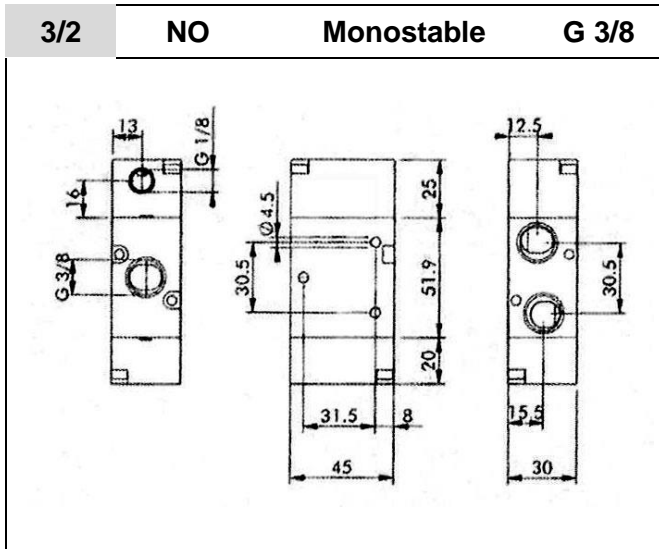
Dimensions



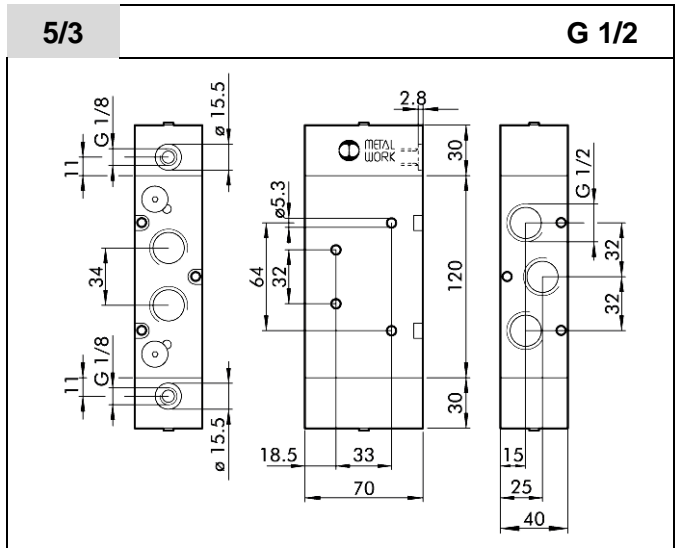
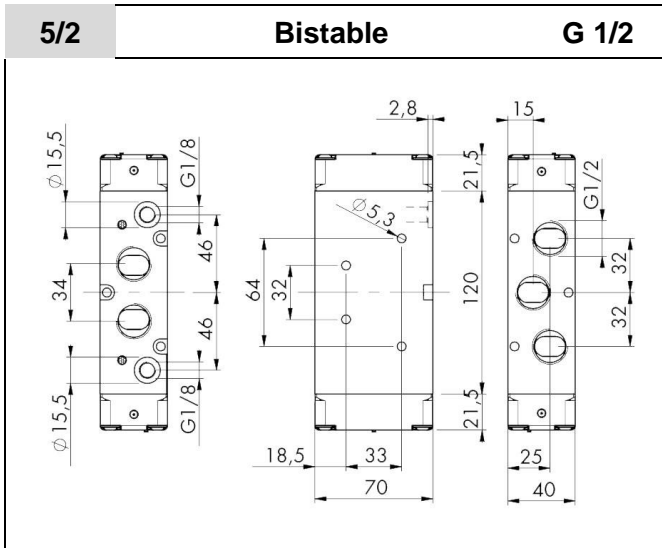
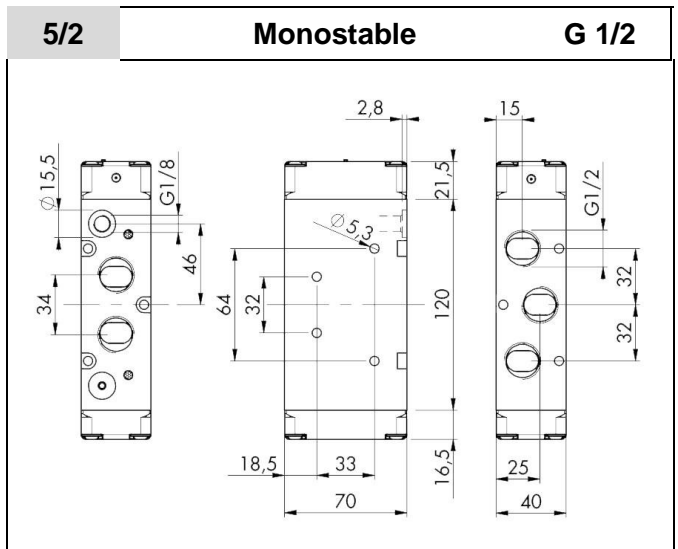
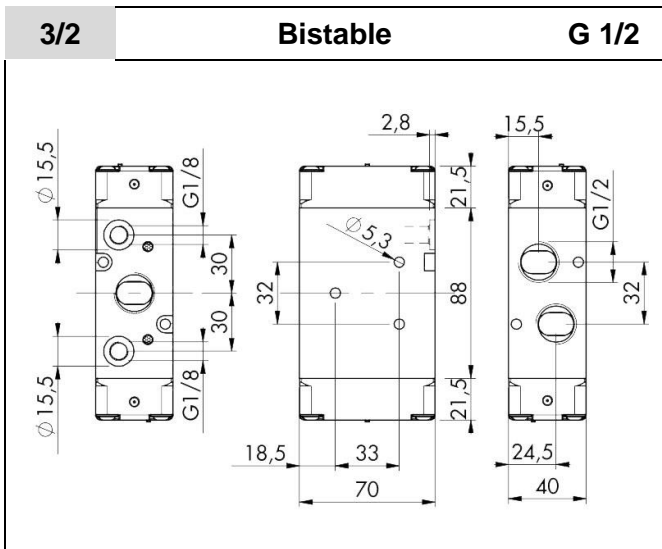
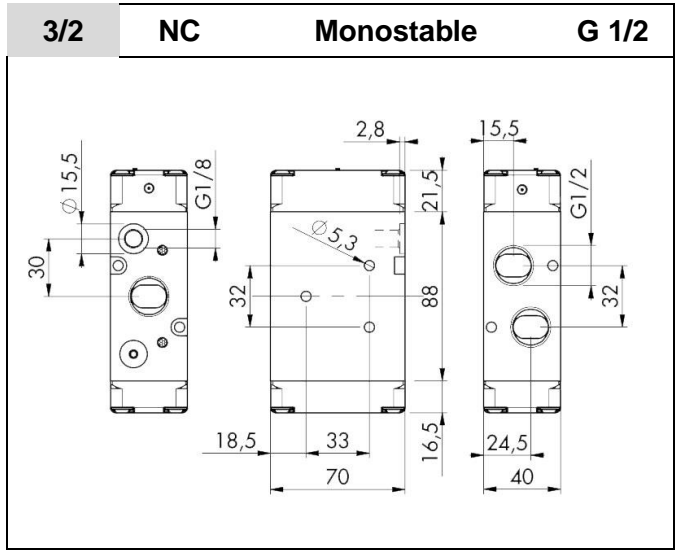
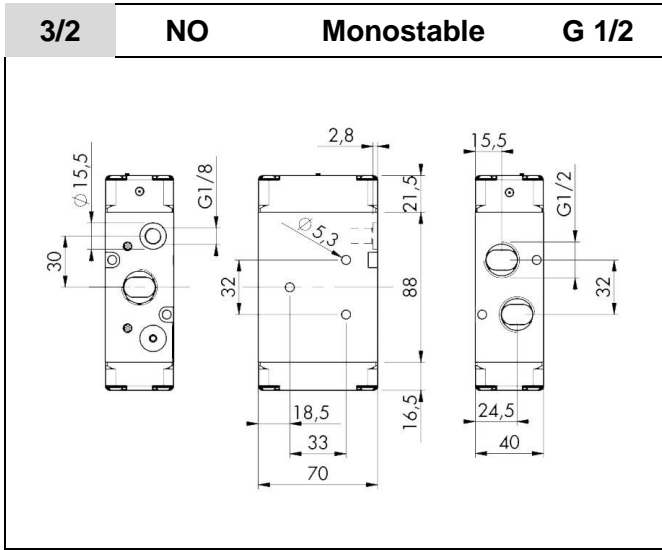
Dimensions



Dimensions



Dimensions



Accessories

Manifold bases	Feed blocks	Connection plugs	Magnets
⇒See	⇒See	⇒See	⇒See
Sheet 15-G-1	Sheet 15-V-1	Sheet 15-Z-1	Sheet 15-Z-1