



2/2-way ball valve Pneumatic actuator

Double-acting,
valve air-actuated at both ends

351.209 351.215

Rp 3/8 ... Rp 2

Description

- Ball valve with full passage
- Compact type of construction
- Extensive range of optional extras available (see accessories)
- Directly mountable control valve
- Maintenance-free stem seal
- Minimal valve torques and compact design mean excellent value for money
- Long service life

Characteristics

Type of actuation	Air-actuated at both ends
Connection	Rp 3/8 to Rp 2 socket
Type of construction	Ball valve with floating precision ball in Teflon half shells
Nominal width	10 - 50 mm
Mounting position	Any
Rated pressure of ball valve DN 10 to DN 50	PN 16 bar, see pressure-temperature graph
Control pressure (actuator)	5.6 or 8.4 bar
Control medium	Filtered, dry compressed air
Operating temperature	-20 °C to +150 °C Wider temperature range on request
Flow direction	Any
Flow media	Non-aggressive gases and liquids
Valve adapter	Pre-assembled
Pneumatic control	Directly mounted or separate 5/2-way valves, electrically actuated (see "Accessories") On request: Pneumatically or manually actuated

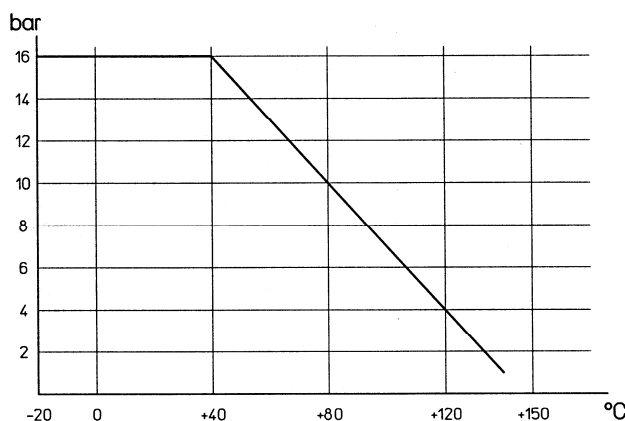
Ordering data

Order No.	Ident No.	Thread »Rp«	DN
351.209	103564	3/8	10
351.210	103565	1/2	15
351.211	103566	3/4	20
351.212	103567	1	25
351.213	103568	1 1/4	32
351.214	103569	1 1/2	40
351.215	103570	2	50

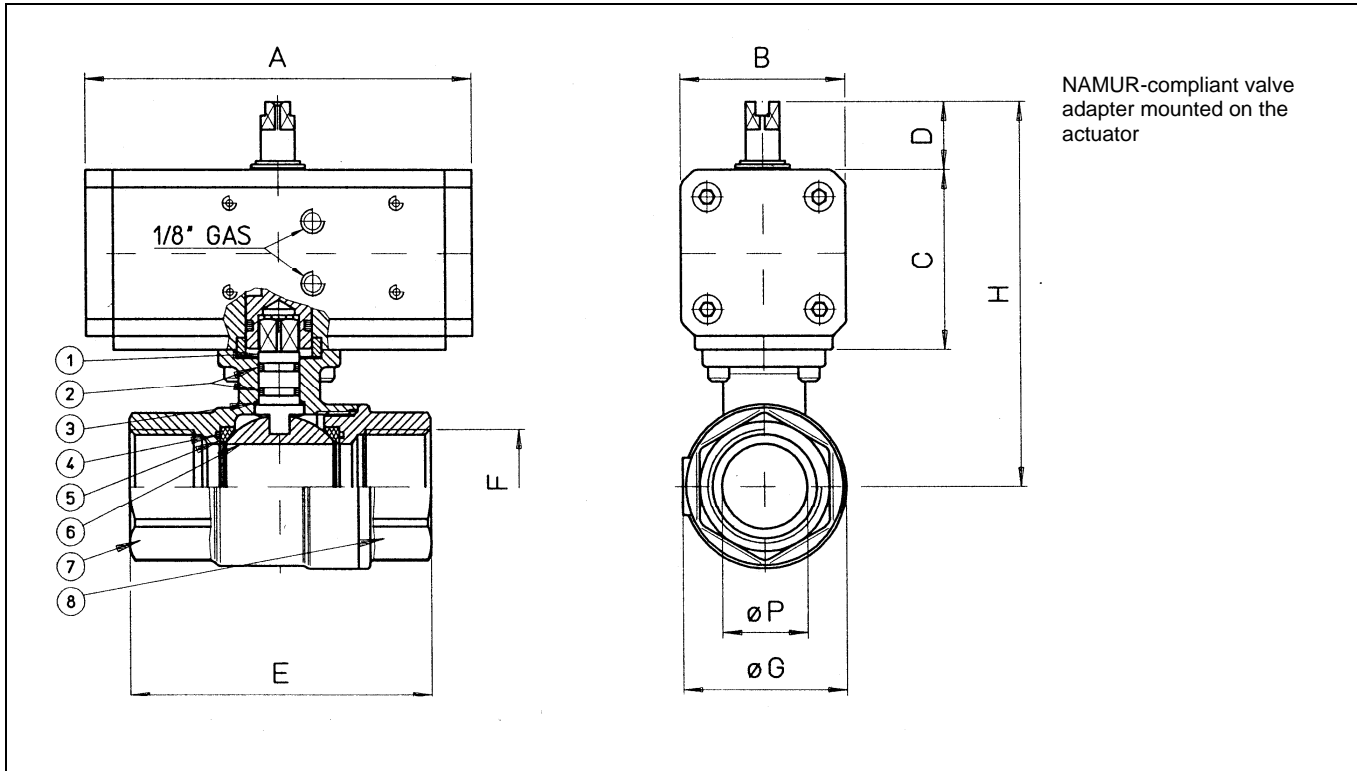
Accessories

Designation	Order No.
5/2-way control valve (NAMUR)	
-230/50	551.01
-24V =	551.02
5/2-way control valve (G 1/8)	
-230/50 (continuous current)	517.204
-24= (continuous current)	517.201
-230/50 (pulse)	517.214
-24= (pulse)	517.211
On request	
Proximity switch	
Limit switch	
-Mechanical	
-Pneumatic	
-With optical position indicator	
-With EExd IIC T6 type of protection	
Positioner	
-Pneumatic	
-Electro-pneumatic	
Optical position indicator	

Pressure-temperature graph



Dimensions [mm]



Order No.	351.209	351.210	351.211	351.212	351.213	351.214	351.215
Nominal width [mm]	10	15	20	25	32	40	50
Threaded conn. (Rp)	3/8	1/2	3/4	1	1 1/4	1 1/2	2
Passage ØP [mm]	11	15	20	25	32	40	50
A [mm]	70	70	70	70	114	114	130
B [mm]	43.2	43.2	43.2	43.2	48.4	48.4	55.4
C [mm]	42.7	42.7	42.7	42.7	52.4	52.4	60.4
D [mm]	15	15	15	15	20	20	20
E [mm]	69	69	77	89	103	114	134
ØG [mm]	31.8	31.8	40	48	60.5	71	87
Cv m ³ /h	11	20	60	100	130	170	280
H [mm]	87	87	94	98	123	129	145
Weight [g]	500	600	700	1000	1900	2700	4200
Components	DA 8	DA 8	DA 8	DA 8	DA 15	DA 15	DA 30
Actuator	890.00	890.00	890.00	890.00	1590.00	1590.00	3090.00
Ball valve	332.199	332.200	332.201	332.202	332.203	332.204	332.205
Assembly kit	MS.1590	MS.1590	-	-	-	-	-
Main spare parts							
Repair kit (actuator)	22.890.00	22.890.00	22.890.00	22.890.00	22.1590.00	22.1590.00	22.3090.00
Valve adapter	350.889 (KNB 10008)	350.889 (KNB 10008)	350.889 (KNB 10008)	350.889 (KNB 10008)	350.890 (KNB 10015)	350.890 (KNB 10015)	350.891 (KNB 17030)

© Riegler 11-20

Materials

No.	Part	Material
1	Shaft	Brass
2	O-ring	Viton
3	Top seal	PTFE
4	Side seal	Viton
5	O-ring	PTFE
6	Ball	Chrome-plated brass
7	Body	Nickel-plated brass
8	Socket	Nickel-plated brass

Control pressure

Actuator	min. [bar]	max. [bar]
890.00	5.6	8.4
1590.00		
3090.00		